



Euroricambi S.p.A.

Date: 15/04/2013

Product Information No.01

Suitable to:

SCANIA

Models:

GR/GRS/GRSO-801/875/890/895/900/905/R/920/R/925/R

Application:

GEARBOX RANGE

SCANIA GEARBOXES RANGE: 4th GENERATION NEW Synchro. Ring and Cones for Epicyclical Gears Trains and **Euroricambi REPAIR KITS**

Introduction and novelties:

In the past it has been noticed that grinding noises during the speed changes caused the break of the synchronizer cone (for high range) and damages to the rings (both for high and low speeds). This is why a new synchronizer ring with bonded carbon fiber has been introduced:



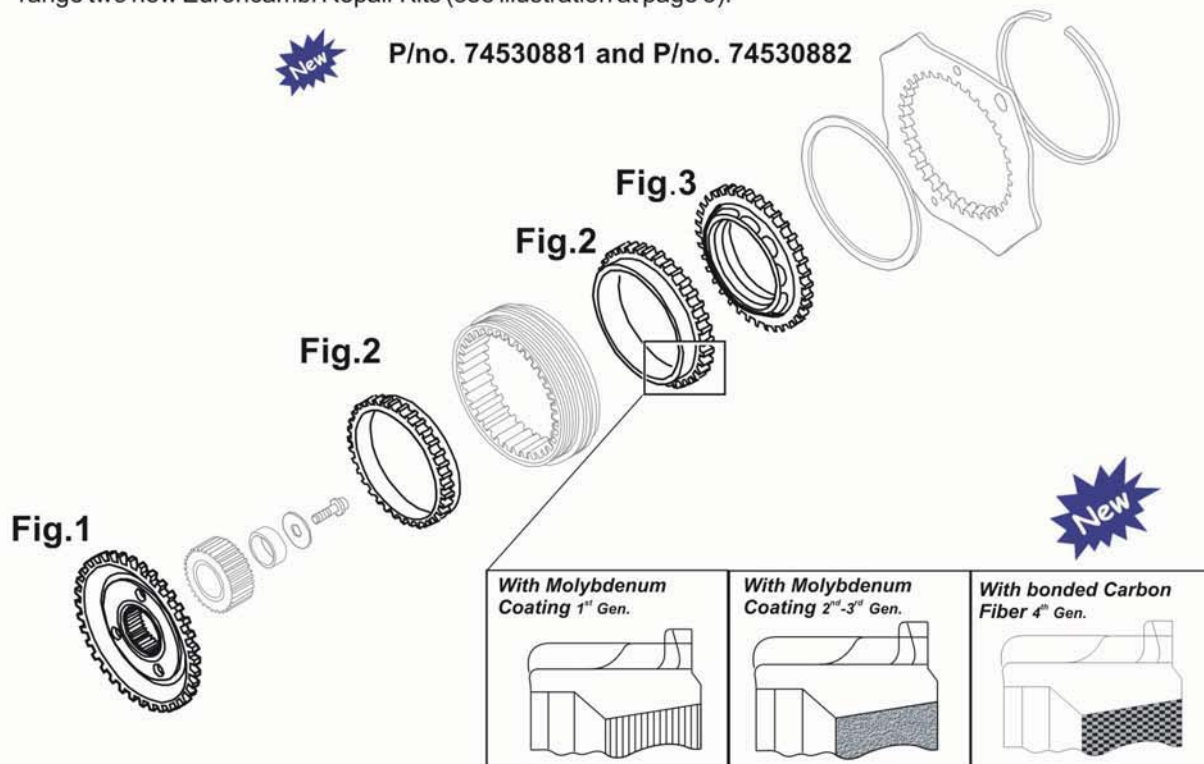
P/no. 1925 293 = our ref. 74530713 (Fig.2)

This new item can be used both for high and slow speeds and it is now ready in our range along with relevant coupling items (Fig.1 and Fig.3)! See in the following pages the changes affecting the old Generations and pay particularly attention to the new **4th Generation**.

Moreover, in order to avoid any problems with right couplings in 4th generation, we have decided to put into our range two new Euroricambi Repair Kits (see illustration at page 3):



P/no. 74530881 and P/no. 74530882



Our Parts are not original but perfectly interchangeable with the O.E.M. ones. All original equipment manufacturers' names, numbers, symbols and descriptions are used for reference purposes only. The above mentioned indications are valid at the moment of distribution, but they may be subject to changes. All rights reserved by the manufacturer and the owner of the work. Euroricambi © Copyright 2011



Date: 15/02/2013

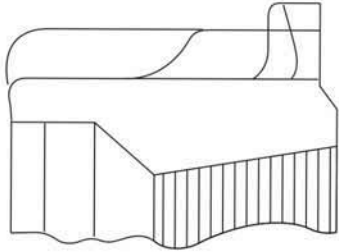
Product Information No.01

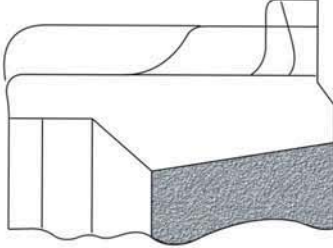
Suitable to:

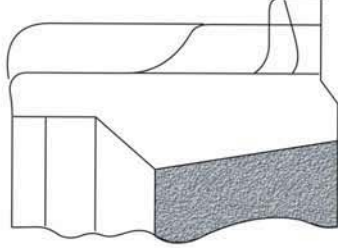
SCANIA


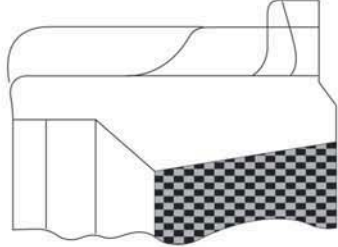
Model:

GR/GRS/GRSO-801/875/890/895/900/905/R/920/R/925/R

1 st GENERATION With 8,5° taper					Molybdenum Coated ground cone surface (Fig.2) 
Fig.	Part No.	Our No.	Description	Note	
1	1304 850	74530450	SYNCHRO CONE	(A)	
1	1491 227	NOT IN PRODUCTION	SYNCHRO CONE	(B)	
2	1395 624	74530399	SYNCHRO RING	(A+B)	
3	1323 147	74530466	SYNCHRO CONE	(A+B)	

2 nd GENERATION With 8,5° taper					Molybdenum Coated raw cone surface (Fig.2) 
Fig.	Part No.	Our No.	Description	Note	
1	1789 444	74530525	SYNCHRO CONE	(A)	
1	1788 171	74530528	SYNCHRO CONE	(B)	
2	1770 058	74530527	SYNCHRO RING	(A+B)	
3	1788 170	74530526	SYNCHRO CONE	(A+B)	

3 rd GENERATION With 7,5° taper					With Molybdenum Coating (Fig.2) 
Fig.	Part No.	Our No.	Description	Note	
1	1883 354	74530644	SYNCHRO CONE	(A)	
1	1883 352	74530647	SYNCHRO CONE	(B)	
2	1883 363	74530646	SYNCHRO RING	(A+B)	
3	1883 350	74530645	SYNCHRO CONE	(A+B)	

 4 th GENERATION With 7,5° taper					With Bonded Carbon Fiber (Fig.2) 
Fig.	Part No.	Our No.	Description	Note	
1	1927 003	74530774	SYNCHRO CONE	(A)	
1	1926 257	74530762	SYNCHRO CONE	(B)	
2	1925 293	74530713	SYNCHRO RING	(A+B)	
3	1926 256	74530705	SYNCHRO CONE	(A+B)	

(A) For models: GR/GRS/GRSO-801/890/900/920/R.

(B) For models: GR/GRS/GRSO-875/895/905/925/R.

(A+B) For models: GR/GRS/GRSO-801/875/890/895/900/905/R/920/R/925/R

1st Generation: 1491 227 this is the only item not in PRODUCTION;2nd Generation: 1770 058=74530527 interchangeable with 1395 624=74530399 (1st Gen.)

Our Parts are not original but perfectly interchangeable with the O.E.M. ones. All original equipment manufacturers' names, numbers, symbols and descriptions are used for reference purposes only. The above mentioned indications are valid at the moment of distribution, but they may be subject to changes.
All rights reserved by the manufacturer and the owner of the work. Euroricambi © Copyright 2011



Euroricambi S.p.A.

Date: 15/04/2013

Product Information No.01

Suitable to:

SCANIA

Models:

GR/GRS/GRSO-801/875/890/895/900/905/R/920/R/925/R

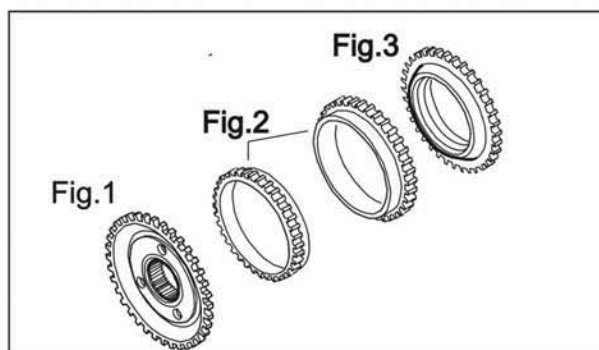
Application:

GEARBOX RANGE

4th GENERATION WITH 7,5° TAPER

Euroricambi REPAIR KITS

SYNCHRONIZER RING WITH BONDED CARBON FIBER



Our No. **74530881** REPAIR KIT

Fig.	Part No.	Our No.	Description	Qty
1	1927 003	74530774	SYNCHRO CONE	1
2	1925 293	74530713	SYNCHRO RING	2
3	1926 256	74530705	SYNCHRO CONE	1

Gearbox: GR/GRS/GRSO-801/890/900/920/R

(A) For models: **Serie 3 / 4 / K (Buses) / N (Buses)**

G93 - P93 - R93 - T93 - 94C - 94D - 94G - 94L

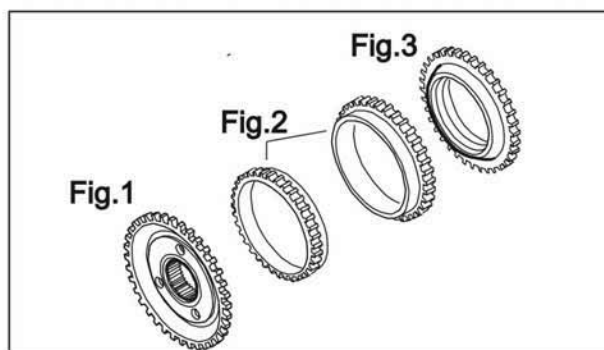
Bus K93CLB - K113CLB - Bus K94 - K114

P113 - R113 - T113 - R143 - T143 - 114 C/G/L

124 C/G/L - 144 C/G/L - 164(480) C/G/L - 164(580) C/G/L

Serie P - Serie R

P/R380 - P/R420 - P/R480 - P/R500 - P/R560 - P/R620



Our No. **74530882** REPAIR KIT

Fig.	Part No.	Our No.	Description	Qty
1	1926 257	74530762	SYNCHRO CONE	1
2	1925 293	74530713	SYNCHRO RING	2
3	1926 256	74530705	SYNCHRO CONE	1

Gearbox: GR/GRS/GRSO-875/895/905/925/R

(B) For models: **Serie P - Serie R**

P230 - P270 - P310 - P340 - P380 - P480 - P500 - P560 - P620

R230 - R270 - R310 - R340 - R380 - R480 - R500 - R560 - R620

Our Parts are not original but perfectly interchangeable with the O.E.M. ones. All original equipment manufacturers' names, numbers, symbols and descriptions are used for reference purposes only. The above mentioned indications are valid at the moment of distribution, but they may be subject to changes. All rights reserved by the manufacturer and the owner of the work. Euroricambi © Copyright 2011